

# Test Report

## for 0.8~4.0GHz Broadband Spiral Antenna



Model: HXATBDBS840

**Chengdu HAIXIN MICROWAVE Technology Co., Ltd**

Add: Chengdu 610091, China

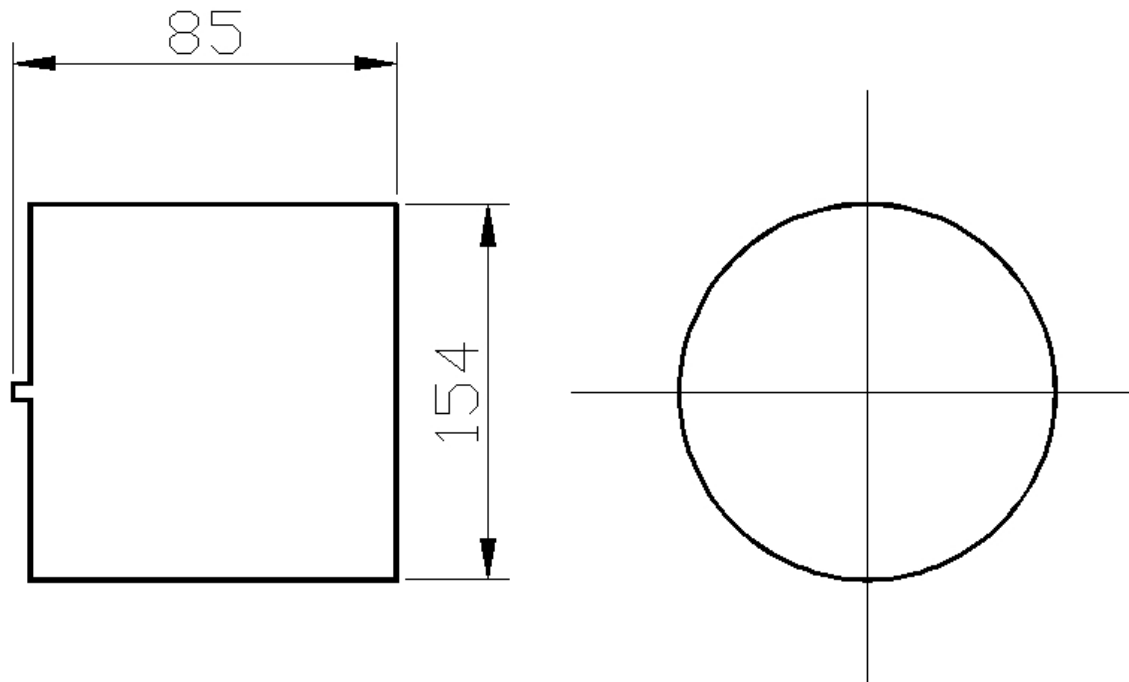
Tel: +86-28-87089208

Website: [www.hxmicrowave.com](http://www.hxmicrowave.com)

Fax: +86-28-87089208

Email: [sale@hxmicrowave.com](mailto:sale@hxmicrowave.com)

### Outline Drawing (Size: mm)



### Technical Specification

Frequency Rang	VSWR	Gain	Connector	Axial Ration	Beam width	Size
0.8~4GHz	2:1	$\geq -10$ dBic	SMA-Female	$\leq 3$ dB	70~110	$\Phi 154$ mm $\times 85$ mm

### Test Instruments

Agilent 83630B  
HP8563E  
HP8720D

# Test Results



## 1. Gain

Frequency (GHz)	0.8	1.6	2.4	3.2	4.0
Gain (dBic)	-10	-4	0	3	3.5

## 2. Axial Ration

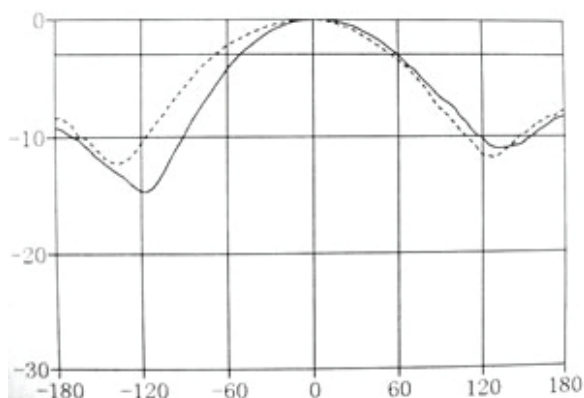
Frequency (GHz)	0.8	1.6	2.4	3.2	4.0
Axial Ration (dB)	1.2	0.5	0.4	0.7	0.5

## 3. Pattern

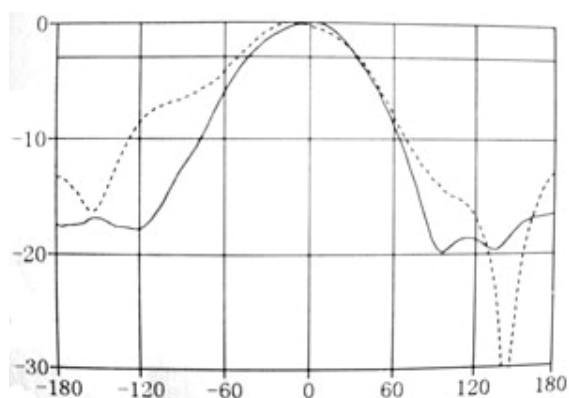
E Plane- - - -

H Plane- - - - -

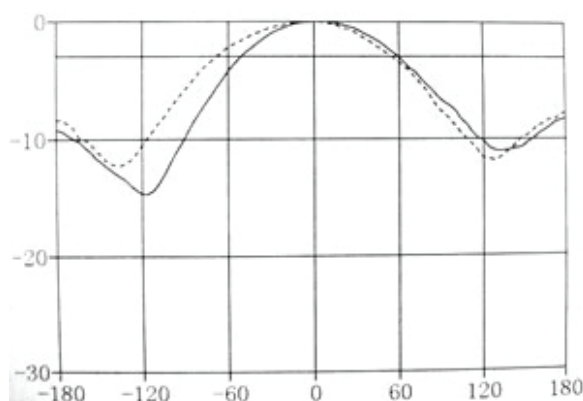
800MHz(123° /111° )



1600MHz(86° /77° )



2400MHz(102° /72° )



4000MHz(64° /68° )

